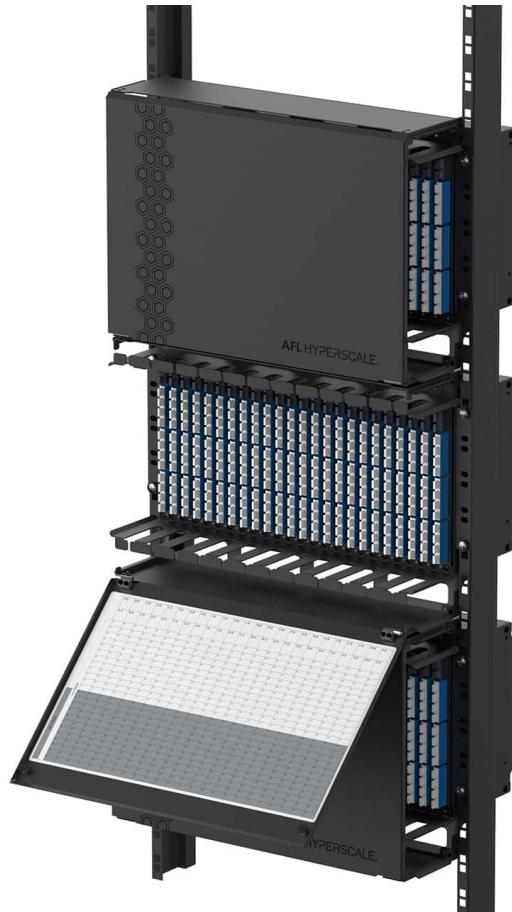


H-Series 7RU Housing



Description

The H-Series Housing is a 7RU unit, incorporating integrated top and bottom, incoming and outgoing cable management. With room for up to 24 H-Series Cassettes, enough for 576 LC connections, the housing is available unloaded so it can scale as your network grows. The H-Series Housing is 19" rack-mountable and made from aluminum alloy, making it strong, lightweight, and easily installed by one person. Front-access only and shallow-depth (260mm/10.2"), the H-Series is perfect for network upgrades or refreshes in data center or telecom environments. A flat front door protects installed assemblies and provides a blank canvas for exterior custom labeling, although a comprehensive port labeling table is provided on the inside of the door. Small, magnetic door catches and a hinged bottom ensure secure, reliable access to cassettes and assemblies. Cable entry can be made from the left or right of the housing with 0.75RU of cable management at the top for typically high fiber count cables and 1.25RU cable management at the bottom for patch cord routing. Integrated cable management protects the bend radius of incoming and outgoing fibers to ensure optimum network performance whilst providing the means for effective cable management and arrangement.

Features and Benefits

- 7RU housing can accommodate 24 H-Series cassettes and a total of 576 LC ports
- Available unloaded, allowing you to add cassettes as your network grows

- Housing is robust but made out of lightweight aluminum alloy, enabling one-person installation
- Easy access makes adding, removing, or swapping cassettes simple and straightforward
- Slim-depth housing is ideal for shallow rack environments

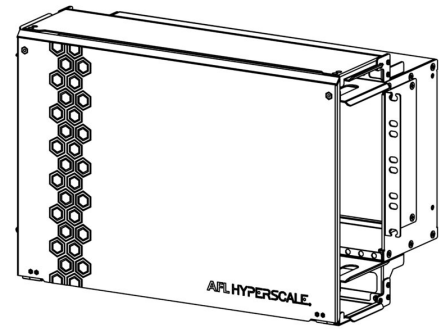
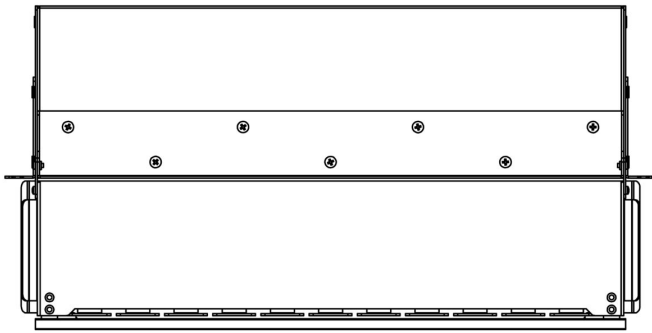
Applications

- Colocation
- Meet-Me-Rooms
- Telco racks
- Hyperscale data center

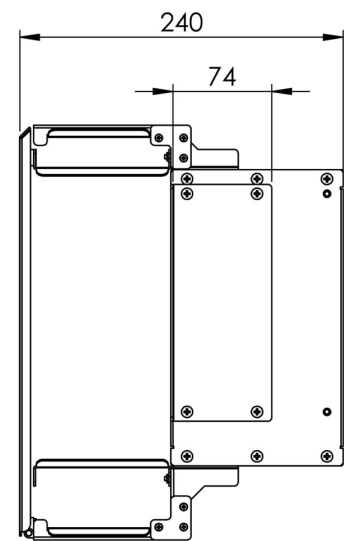
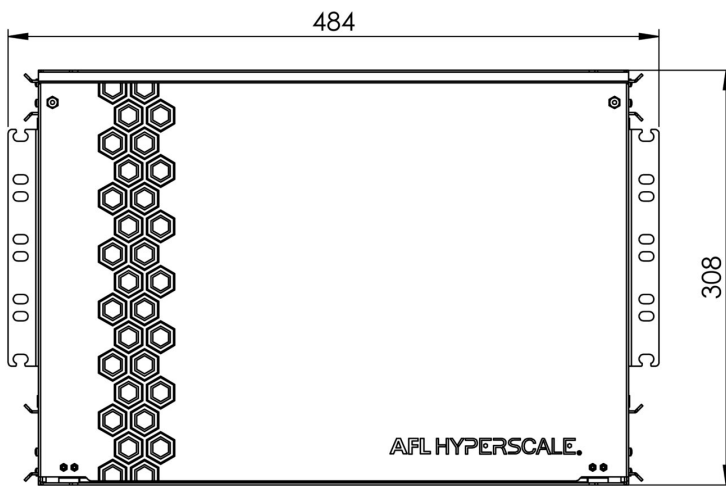
Specifications

Element	Characteristic
Dimensions	308mm (H) x 438.6mm (W) x 260mm (D)
Maximum fiber count	576f (LC), 1728f (12-fiber MPO), 3456f (24-fiber MPO)
Cable entry	Left and right
Material	Aluminum
Material thickness	1.5 mm
Material coating	Powder
Color	Black
Operating temperature	-20°C to +50°C
Materials compliant to	RoHS, Reach, SVHC

Technical Drawing



Isometric View



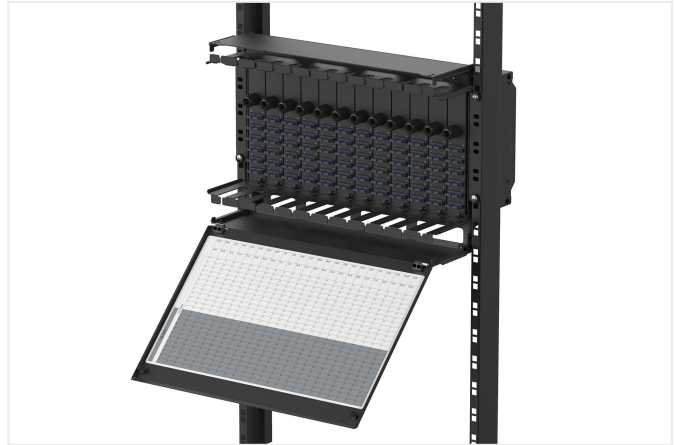
Ordering Information

Product	Part Number	Legacy Part Number
AFL Hyperscale H-Series 7RU Slim Depth for 24 Cassette Black	FXHEXXBXXX-03XX	HDX7UPANEL

Regional Availability

USA	EMEA	INDIA	APAC (excluding India)
+1-866-814-8615 usasales@aflhyperscale.com	+44 1908 441 144 emeasales@aflhyperscale.com	+91 80 46874687 indiasales@aflhyperscale.com	+86 755 2561 3694 apacsales@aflhyperscale.com

Additional Images



Related Products



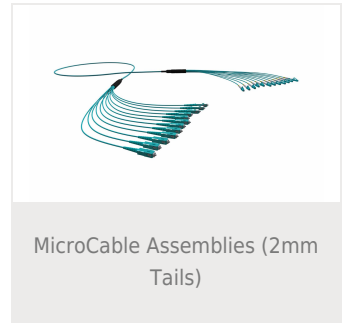
H-Series 24f LC Ribbon/Single Splice Cassette



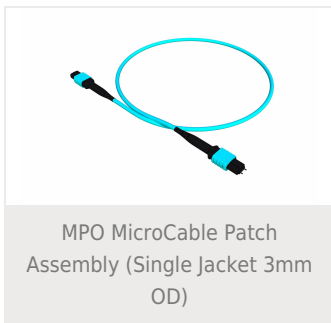
H-Series MPO - LC Cassette BASE-12 24f



250µm Wrapping Tube Cable (WTC) with SpiderWeb Ribbon® (SWR®)



MicroCable Assemblies (2mm Tails)



MPO MicroCable Patch Assembly (Single Jacket 3mm OD)



Premium LC Duplex Polarity Reversible Uniboot Patch Cord